

# APS-SUB Data Sheet

## APS-SUB

Compact High-Output  
Subwoofer



The APS-SUB is a compact high-output subwoofer operating in the range of 28–150 Hz, designed to complement APS Arrayable Point Source loudspeakers to complete a system designed for small- and medium-sized venues where a flexible, scalable, and powerful solution is required.

The APS-SUB contains an 18" high-excursion ultra-low-distortion neodymium driver that exhibits high efficiency and high maximum peak SPL. The 4" voice coil sustains an excursion of 20 mm peak to peak at a consistent magnetic force. The carbon fiber diaphragm provides increased stiffness and reduced moving mass, for efficient and accurate bass reproduction down to 28 Hz (-6 dB) with increased headroom.

### APS-SUB Features

- ⊕ 18" high-excursion ultra-low distortion neodymium driver
- ⊕ Low frequency range extends down to 28 Hz (-6 dB)
- ⊕ System integration with LINUS loudspeaker management amplifiers
- ⊕ 138 dB maximum peak SPL
- ⊕ Flyable or ground-stackable in cardioid or omni-directional configurations
- ⊕ Rigging is compatible with APS
- ⊕ Integrated M20 thread connector plate for distance mounts

APS-SUB arrays can be flown or ground stacked in omnidirectional or cardioid configurations. APS-SUB rigging is compatible with APS systems and features an integrated pole-mount receptacle. With the addition of a third-party M20 thread distance mount, APS-SUB can be used as a base for groundstacked pole-mounted APS arrays. This comprises a powerful and lightweight mobile system that requires no motors or trusses, reducing transport costs and setup time.

The APS-SUB is designed to work exclusively with CODA Audio LINUS loudspeaker management amplifiers as an integrated solution for DSP, amplification, network remote control, and diagnostic. This solution ensures optimal performance and protection.

Optional groundstack adapter plates and transport dollies are available from CODA Audio.

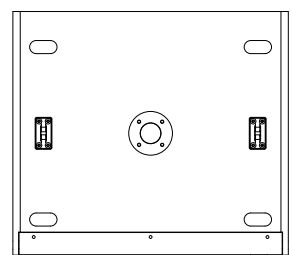
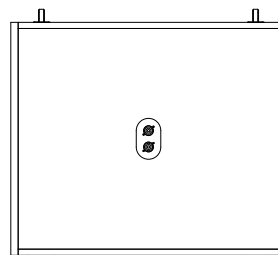
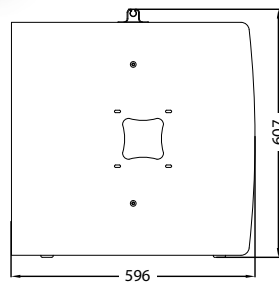
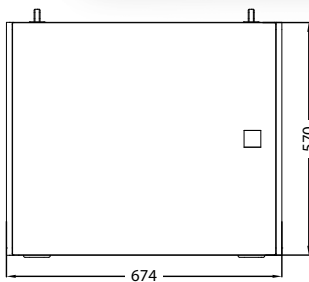


# APS-SUB Data Sheet



Product Type	Compact 18-inch Subwoofer
Dimensions (WxHxD):	674 x 570 x 596 mm / 26.54 x 22.44 x 23.46"
Dimensions Including Hardware (WxHxD):	674 x 607 x 596 mm / 26.54 x 23.9 x 23.46"
Net Weight	45 kg / 99.2 lb
Frequency Response	N/A
Power handling AES / peak (passive):	1250 / 5000 W
- Low AES / peak:	N/A
- Mid / High AES / peak:	N/A
Max. peak SPL (with LINUS10):*	138 dB
Dispersion Horizontal:	N/A
Dispersion Vertical:	N/A
Components Low frequency:	One 18-inch neodymium ultra-low distortion woofer 4-inch (101.6 mm) voice coil; 1300 W (AES)
Components Mid/High frequency:	N/A
Crossover point:	N/A
Input Connectors:	Two 4-pole female Neutrik™ NL4MP
Nominal impedance LF / MF+HF:	8 Ω (1+/1-)
Enclosure material:	Baltic Birch
Suspension	Integrated

\*Measured with pink noise 6 dB crest factor. Half-space loading.



## Other APS System Products



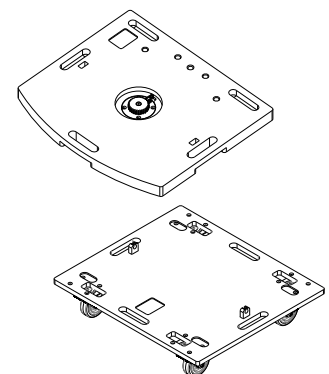
### APS

Compact, High-Output  
Subwoofer



### LINUS14/14D

4-Channel Loudspeaker  
Management Amplifier



### ACCESSORIES

Visit [www.codaaudio.com](http://www.codaaudio.com) for a  
full list of APS accessories

## CODA AUDIO GmbH

Boulevard der EU 6, 30539 Hannover, Expo Park, Germany  
E-Mail: [contact@codaaudio.com](mailto:contact@codaaudio.com) Website: [www.codaaudio.com](http://www.codaaudio.com)

**CODA**  
CODA AUDIO

